

OCEANCRAFT

#BeTheBiggerPicture



Science Hack Day Brest 2018

D'ou vient le projet ?

- Le plastique represente 10% des dechets dont 10% terminent dans l'ocean
→ 2 millions d'elephants dans l'ocean chaque annee

Context of the project?

- Plastic represents 10% of general waste, 10% of that amount ends up in our oceans.
→ 2 million elephants into the ocean each year.



But du projet

- Passer de la sensibilisation a l'action
- Apprendre le recyclage du plastique aux enfants
- Minimiser la pollution dans nos oceans et reutilisant le plastique .

Our Objective

- Transform awareness into action
- Educate our children on the importance of recycling.
- Reduce plastic pollution in our oceans by reusing plastic collected.



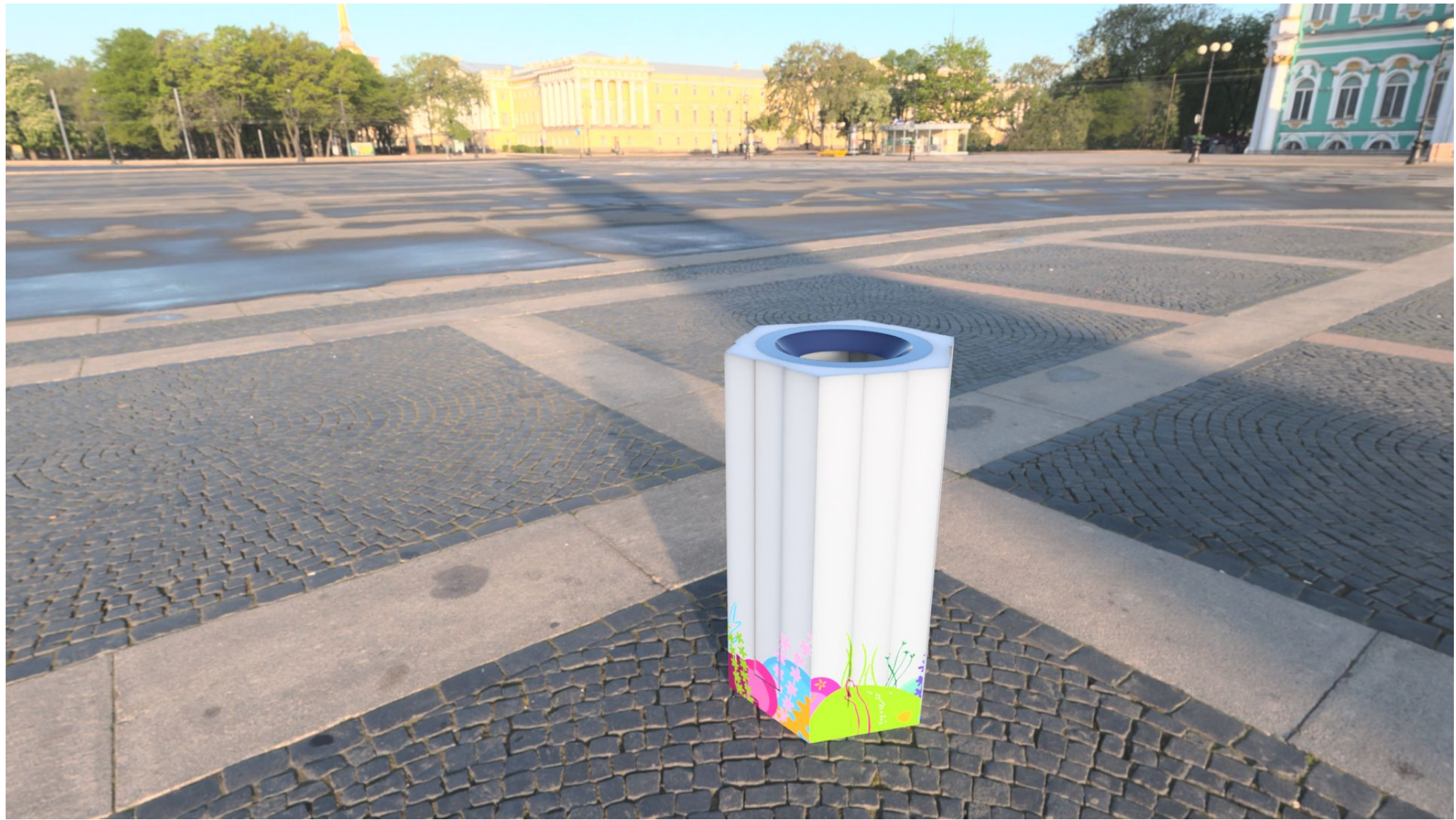
Présentation du prototype

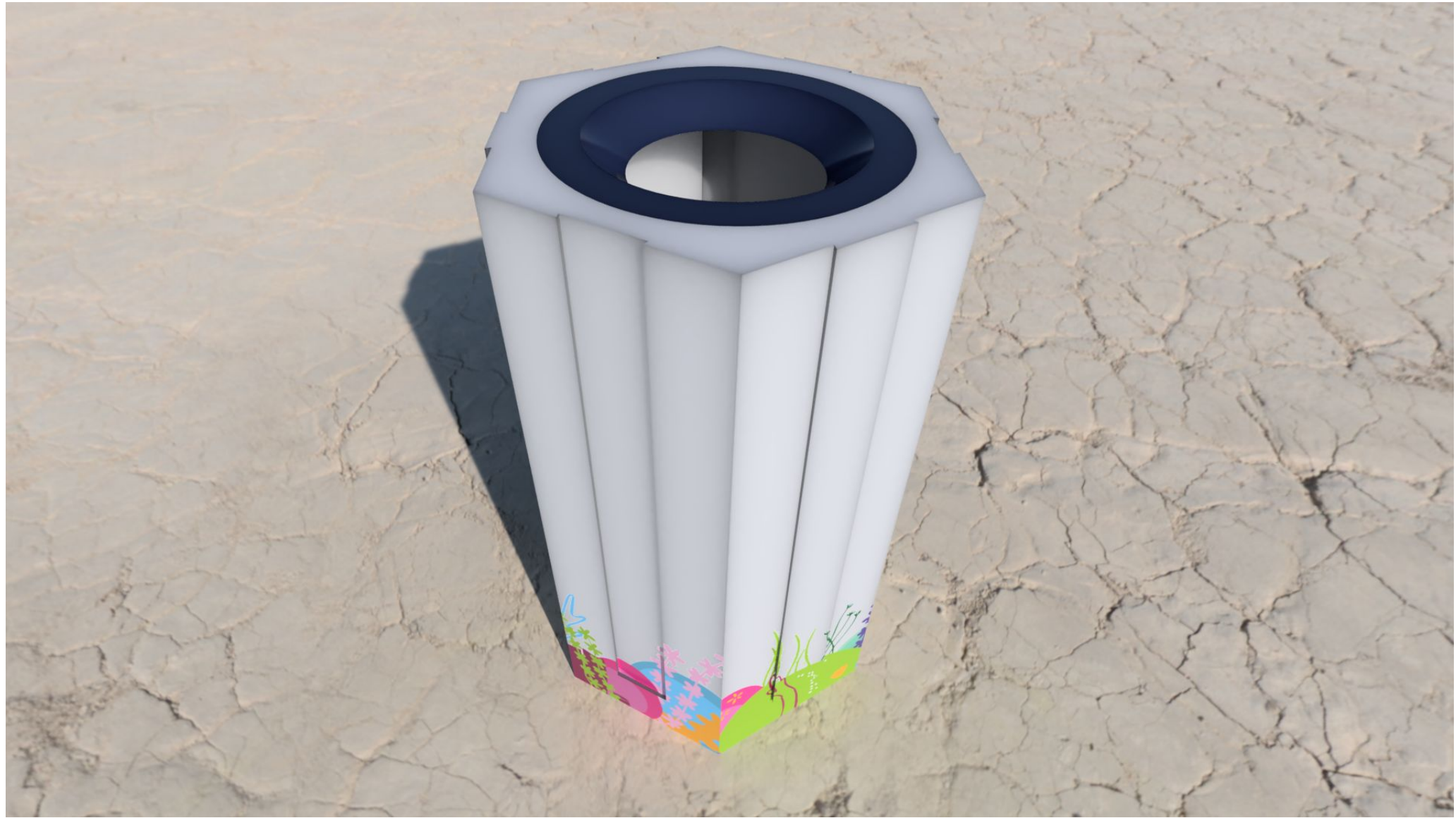
- Smart bin imprimée en 3D
- Dessin technique
- Animation fonctionnelle - réseaux sociaux

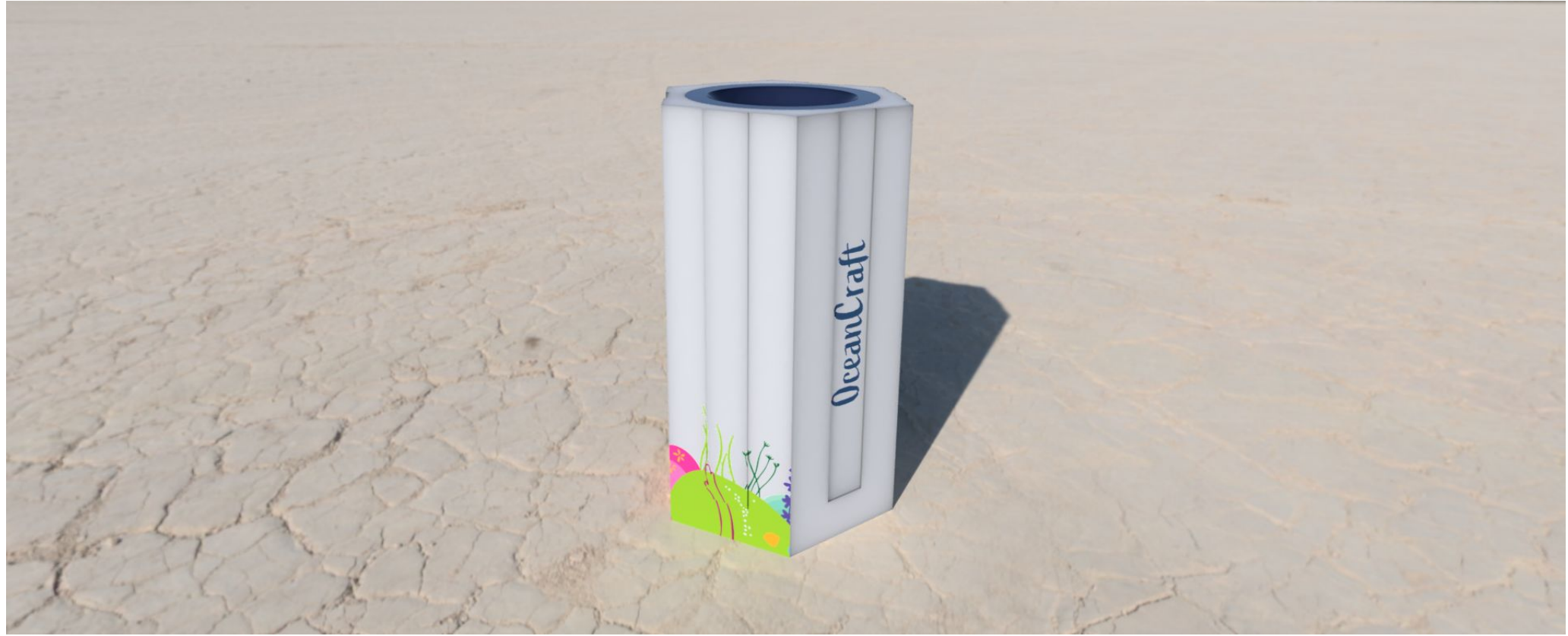
Prototype presentation

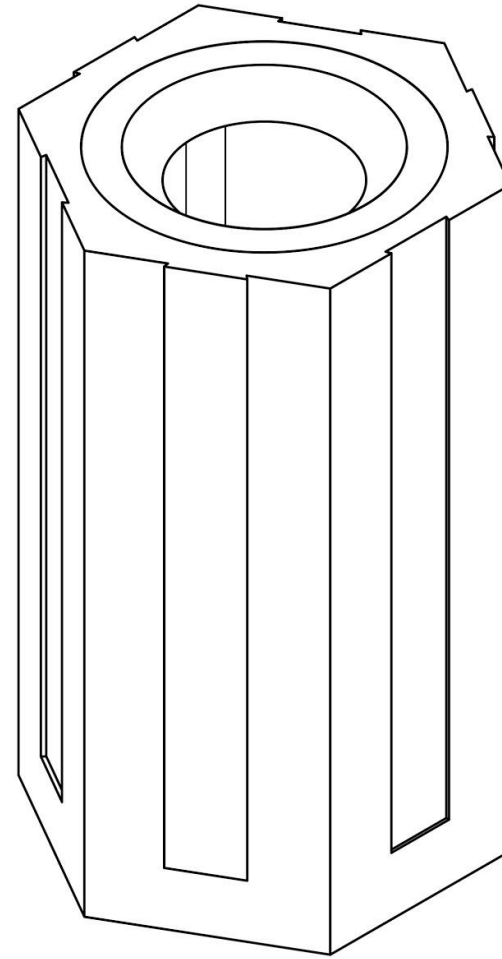
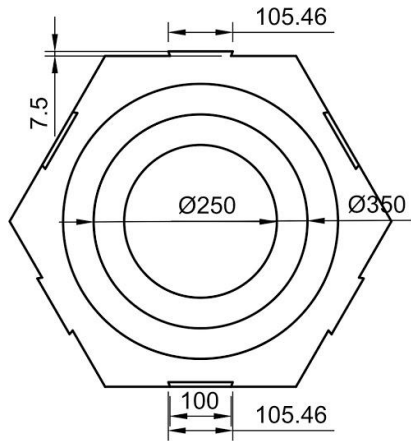
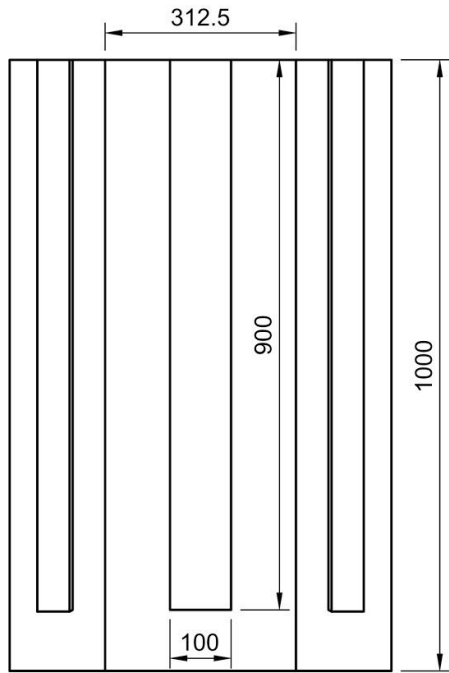
- 3D model of smart bin
- Technical drawing
- Animation of function- social media.











| | | | |
|-----------------|--|--------------------------------------|--------------------------------------|
| Dept. Design | Technical reference 1 1 Scale draft | Created by Ben Wheeler 25/11/2018 | Approved by Maha Taher 25/11/2018 |
| | | Document type Prototype Draft | Document status Prototype |
| | | Title Bin Print | DWG No. 001 |
| | | Rev. | Date of issue 25/11/2018 |
| | | Sheet 1/1 | |

Et après ?

- Continuer a travailler pour la preservation de nos oceans en equipe.
- Presenter nos smart bins a l'international.

What's next?

- As a team we would like to continue our work to protect our oceans.
- Introduce our smart bins globally.

