

4

3

2

1

D

D

C

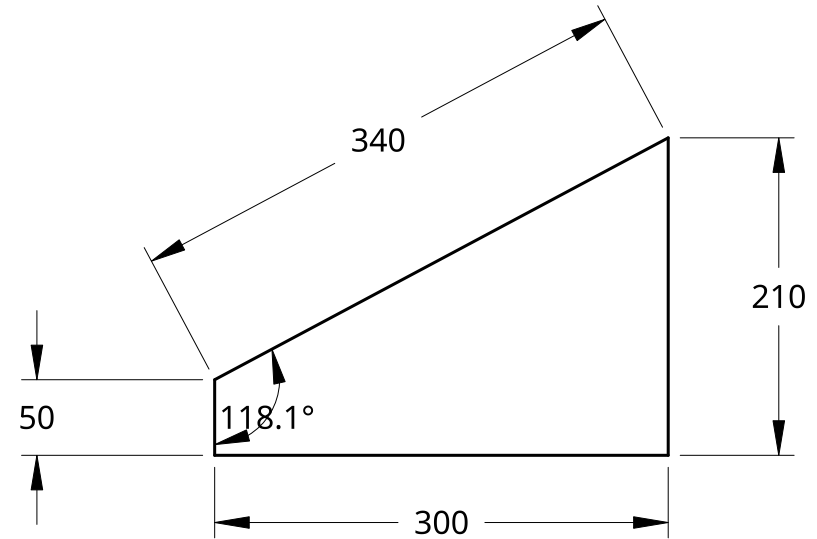
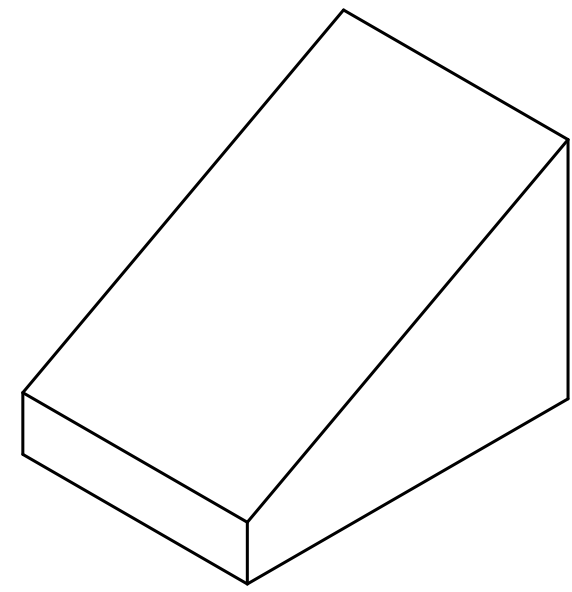
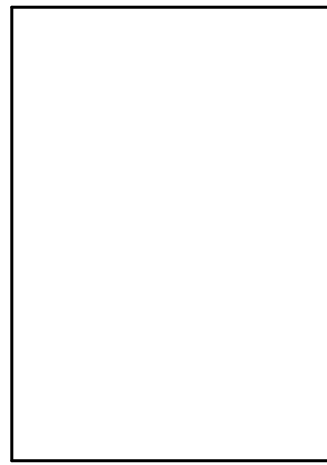
C

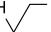
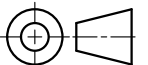
B

B

A

A



UNLESS OTHERWISE SPECIFIED, DIMENSIONS ARE IN MILLIMETERS ANGULAR = ± ° SURFACE FINISH  DO NOT SCALE DRAWING BREAK ALL SHARP EDGES AND REMOVE BURRS THIRD ANGLE PROJECTION 		NAME	DATE	TITLE		
	DRAWN	FHORSED	01/17/2022			
	CHECKED					
	APPROVED					
	MATERIAL	FINISH	SIZE	DWG NO.	REV.	
		SCALE	1:5	WEIGHT	SHEET	1 of 1

4

3

2

1